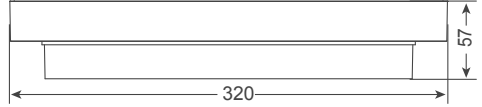


OPERATING MANUAL

SPAZE 320 1000-2500 830-850 - Basic On/Off, Power Adjustable, Color Temp. Adjustable

Important: Please read the instruction manual carefully prior to installation and keep it for future reference.



Order code	Product Series	Power Adjustable	Color Temp. Adjustable	Function
556001	SPAZE 320 1000-2500 830-850	10W/ 14W/ 18W/ 22W	3000K 4000K 5000K	Basic On/Off

Mounting: Wall or Ceiling

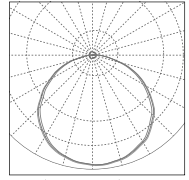
Light brief features:

Ra: >80

Life Time: 5 years

Light Source: LED SMD2835

Input:220V-240V 50/60Hz

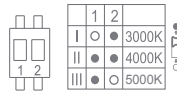


Power adjustable options:

Power	Current	1	2
10W	250mA	○	○
14W	350mA	●	○
18W	450mA	○	●
22W	550mA	●	●



CCT:



Accessories:

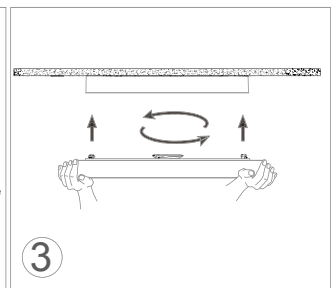
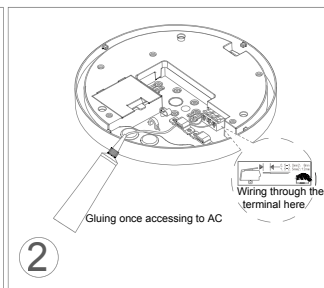
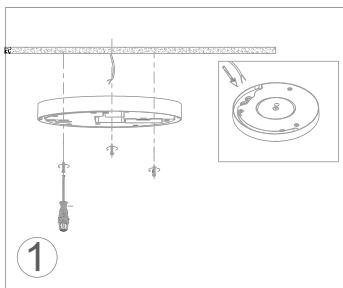
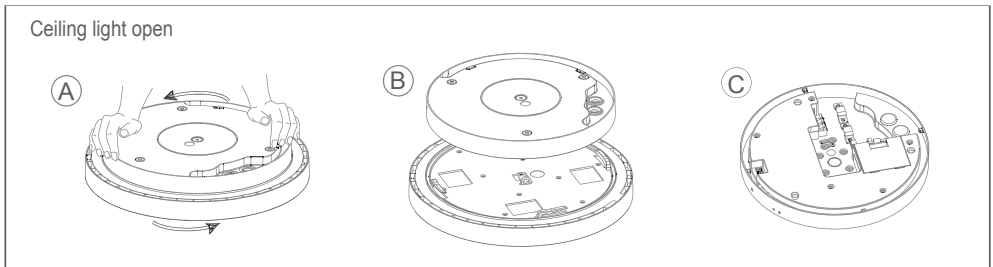
No.	Pic.	Qty.	Usage
1		3	Fix light
2		3	Rawl plug
3		1	Rubber plug

Color temperature Code

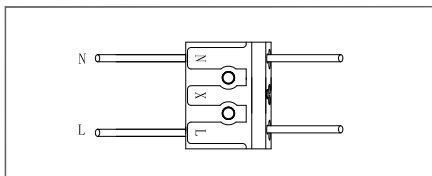
Code	Color temperature	CCT	Lumen			
			10W	14W	18W	22W
30K	Warm White	3000K	1100lm	1530lm	1960lm	2400lm
40K	Natural White	4000K	1140lm	1590lm	2050lm	2500lm
50K	Cool White	5000K	1160lm	1630lm	2090lm	2550lm

Installation:

Ceiling light open

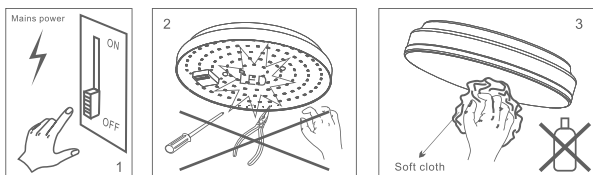



Wiring:



Maintenance

1. Cut off the main power first
2. Don't touch LED while maintaining or cleaning
3. Don't use chemical reagent to clean lamp.



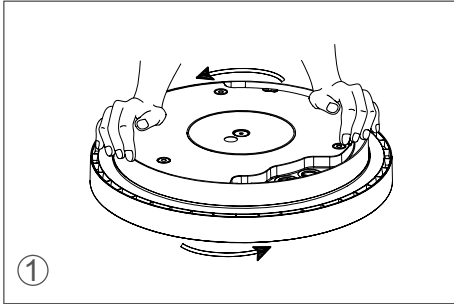
Environmental protection: waste electrical products should not be disposed of with household waste. Please recycle where facilities exist. Check with your local authority or retailer for recycling advice. 

Caution:

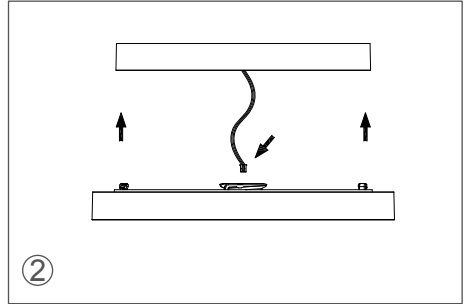
1. The product must be installed by professional technicians and power supply must be cut off before installation.
2. The diameter for AC input wire is 0.75mm² (complying with 60245 IEC57), which complies with the latest IEE electrical standards or national standards.
3. Do not touch the electronic circuit and its components.
4. Contact an authorised technical service centre for any repairs possibly required use only original spare parts.
5. Do not touch LED while installing or maintaining.
6. After installation, remember to seal the entrance hole with glue
7. The light source contained in this luminaire shall only be replaced by the manufacturer or his service agent or a similar qualified person.



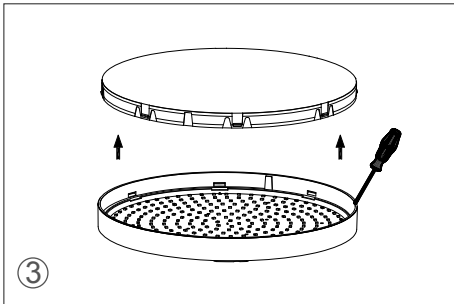
Instruction for Light Source Disassembly



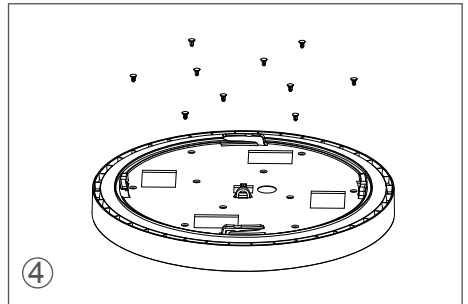
Twist the base anticlockwise to open the LED fixture.



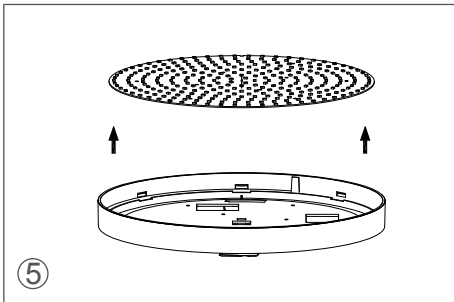
Lift up the base and disconnect the DC cable.



Use a flat head screwdriver to pry the diffuser off.



Remove the plastic rivets.



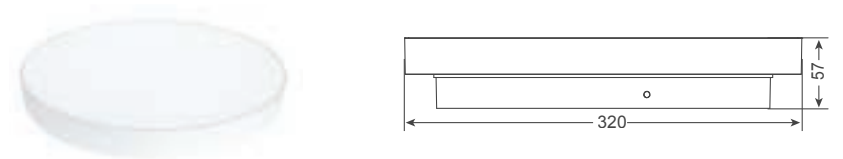
Take out the PCBA (light source) from the housing.

* This product contains a light source of energy efficiency class < >

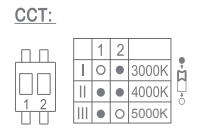
OPERATING MANUAL

SPACE 320 Sensor HF 1000-2500 830-850 - Microwave Sensor Dimming, Power adjustable, Color temp. adjustable

Important: Please read the instruction manual carefully prior to installation and keep it for future reference.



Order Code	Product Series	Power Adjustable	Color Temp. Adjustable	Function
556002	SPACE 320 Sensor HF 1000-2500 830-850	10W/ 14W/ 18W/ 22W	3000K 4000K 5000K	Microwave Sensor Dimming



Power adjustable options:

Power	Current	1	2	3
10W	250mA	○	○	●
14W	350mA	○	●	○
18W	450mA	●	○	○
22W	550mA	○	○	○

Mounting: Wall or Ceiling
Light brief features:
Ra: >80
Life Time: 5 years
Light Source: LED SMD2835
Input:220-240 VAC 50/60Hz

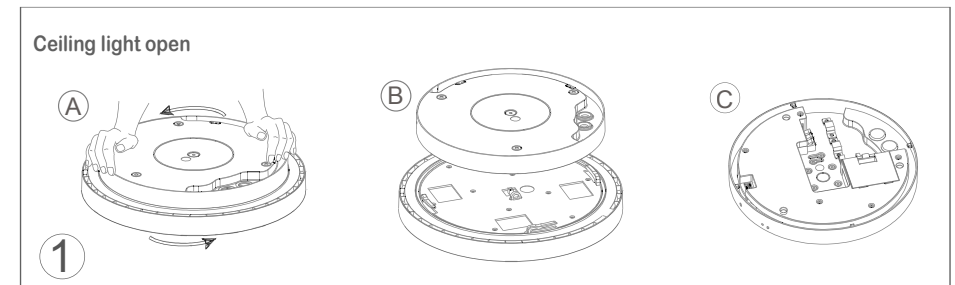
Color temperature Code

Code	Color temperature	CCT	Lumen			
			10W	14W	18W	22W
30K	Warm White	3000K	1070lm	1500lm	1920lm	2350lm
40K	Natural White	4000K	1090lm	1520lm	1960lm	2400lm
50K	Cool White	5000K	1120lm	1560lm	2000lm	2450lm

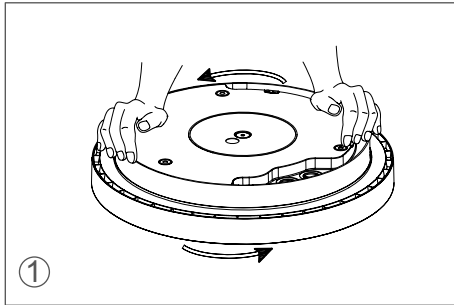
Accessories

No.	Pic.	Qty.	Usage
1		3	Fix light
2		3	Rawl plug
3		1	Rubber plug

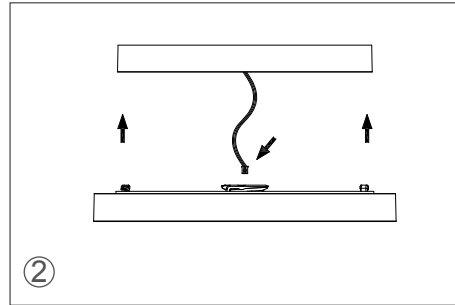
Installation



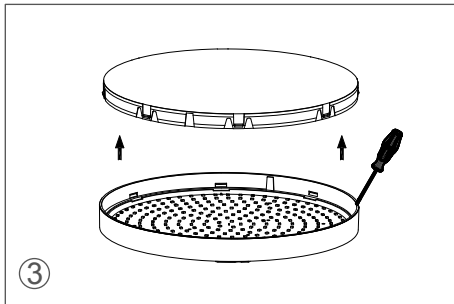
Instruction for Light Source Disassembly



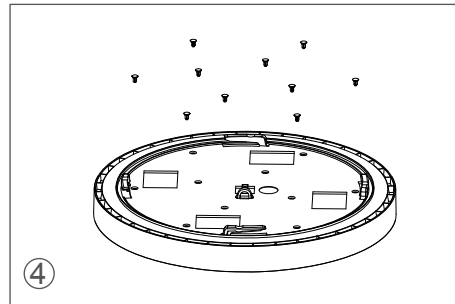
① Twist the base anticlockwise to open the LED fixture.



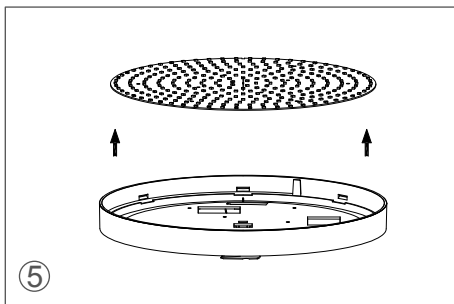
② Lift up the base and disconnect the DC cable.



③ Use a flat head screwdriver to pry the diffuser off.

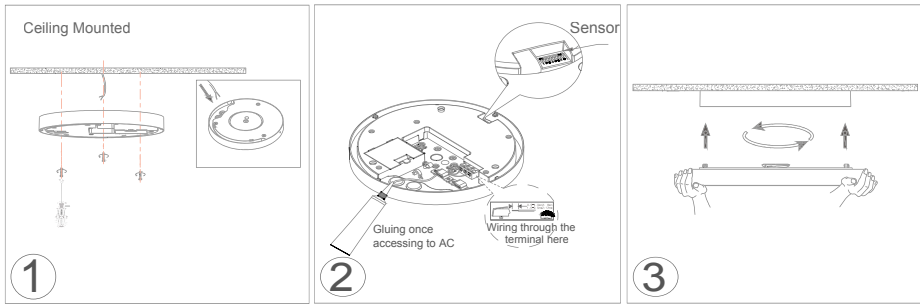


④ Remove the plastic rivets.

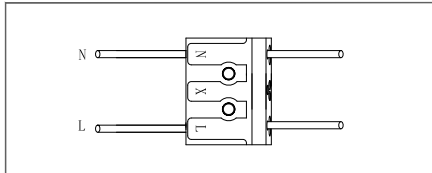


⑤ Take out the PCBA (light source) from the housing.

* This product contains a light source of energy efficiency class < >



Wiring:



Sensor setting options



Detection area

Detection area can be reduced by selecting the combination on the DIP switches to fit precisely for each specific application.

	1	2	
I	●	●	100%
II	●	○	75%
III	○	●	50%
IV	○	○	10%

- I – 100%
- II – 75%
- III – 50%
- IV – 10%



Hold-time

Hold-time means the time period you would like to keep the lamp on 100% after the person has left the detection area.

	3	4	
I	●	●	5s
II	●	○	90s
III	○	●	3min
IV	○	○	10min

- I – 5s
- II – 90s
- III – 3min
- IV – 10min



Daylight sensor

The daylight threshold can be set on DIP switches, to fit for particular application.

	5	
I	●	Disable
II	○	50Lux

- I – Disable
- II – 50Lux



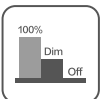
Stand-by period (corridor function)

This is the time period you would like to keep at the low light output level before it is completely switched off in the long absence of people.

Note: "0s" means on/off control; "+∞" means bi-level dimming control, fixture never switches off.

	6	7	
I	●	●	0s
II	●	○	10s
III	○	●	10min
IV	○	○	+∞

- I – 0s
- II – 10s
- III – 10min
- IV – +∞



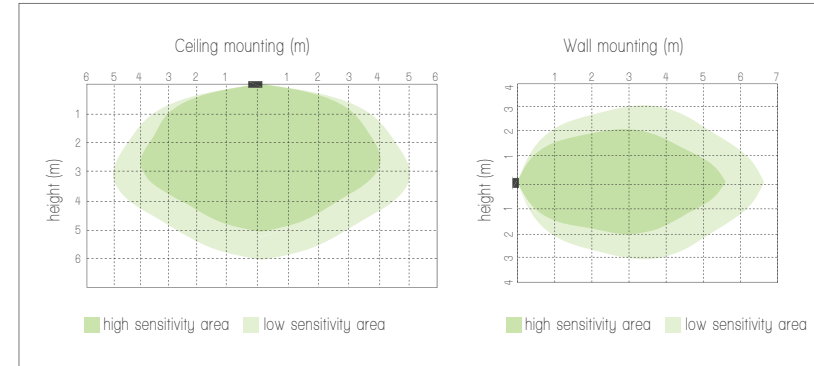
Stand-by dimming level

This is the dimmed low light output level you would like to have after the hold-time in the absence of people.

	8	
I	●	10%
II	○	30%

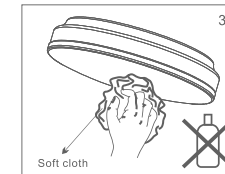
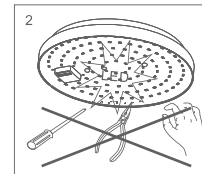
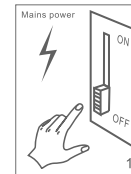
- I – 10%
- II – 30%

Detection Pattern



Maintenance

1. Cut off the main power first
2. Don't touch LED while maintaining or cleaning
3. Don't use chemical reagent to clean lamp.



Environmental protection: waste electrical products should not be disposed of with household waste. Please recycle where facilities exist. Check with your local authority or retailer for recycling advice.

Caution

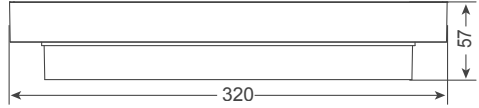
1. The product must be installed by professional technicians and power supply must be cut off before installation.
2. The diameter for AC input wire is 0.75mm² (complying with 60245 IEC57), which complies with the latest IEE electrical standards or national standards.
3. Do not touch the electronic circuit and its components.
4. Contact an authorised technical service centre for any repairs possibly required use only original spare parts.
5. Do not touch LED while installing or maintaining.
6. Sealing the entrance hole with glue after install is needed.
7. The light source contained in this luminaire shall only be replaced by the manufacturer or his service agent or a similar qualified person.



OPERATING MANUAL

SPAZE 320 Sensor PIR BT 1000-2500 830-850 - Bluetooth +PIR Sensor, Power Adjustable, Color Temp. Adjustable

Important: Please read the instruction manual carefully prior to installation and keep it for future reference.



Order code	Product Series	Power Adjustable	Color Temp. Adjustable	Function
556003	SPAZE 320 Sensor PIR BT 1000-2500 830-850	12W/ 14W/ 18W/ 22W	3000K 4000K 5000K	Bluetooth + PIR Sensor

Mounting: Wall or Ceiling

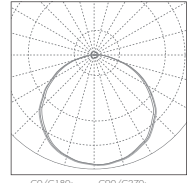
Light brief features:

Ra: >80

Life Time: 5 years

Light Source: LED SMD2835

Input:220V-240V 50/60Hz

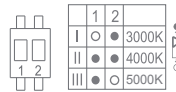


Power adjustable options:

Power	Current	1	2	3
12W	400mA	●	●	●
14W	450mA	●	●	○
18W	600mA	○	●	●
22W	750mA	○	○	○



CCT:



Accessories:

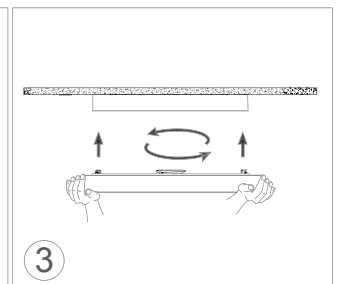
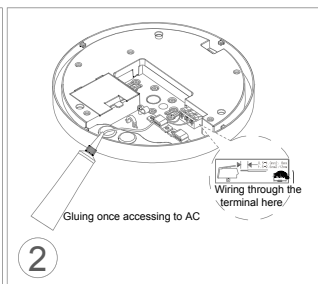
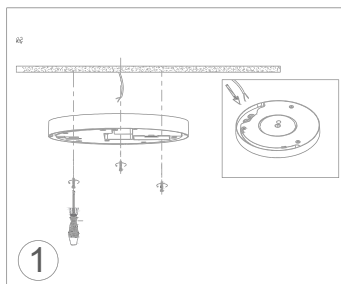
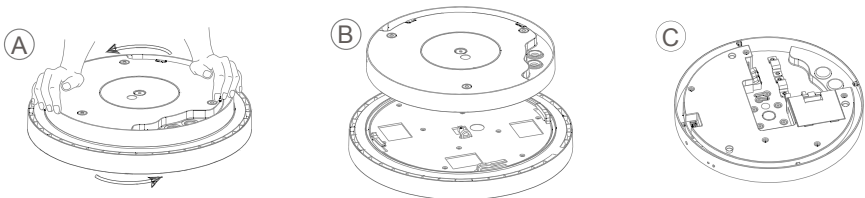
No.	Pic.	Qty.	Usage
1		3	Fix light
2		3	Rawl plug
3		1	Rubber plug

Color temperature Code

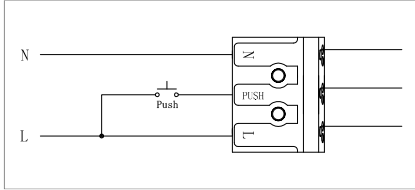
Code	Color temperature	CCT	Lumen			
			12W	14W	18W	22W
30K	Warm White	3000K	1320lm	1540lm	1980lm	2420lm
40K	Natural White	4000K	1360lm	1590lm	2050lm	2510lm
50K	Cool White	5000K	1390lm	1620lm	2090lm	2550lm

Installation

Ceiling light open



Wiring



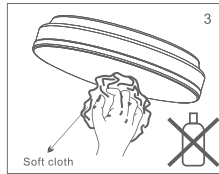
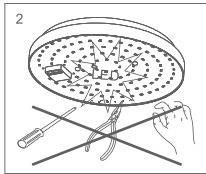
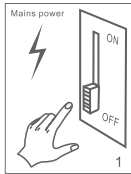
Function


1. Download free APP for set-up and commissioning.
2. Curves of brightness and color temperature can be configured via mobile phone APP.
3. PIR sensor setting is available on mobile phone APP.



Maintenance

1. Cut off the main power first
2. Don't touch LED while maintaining or cleaning
3. Don't use chemical reagent to clean lamp.



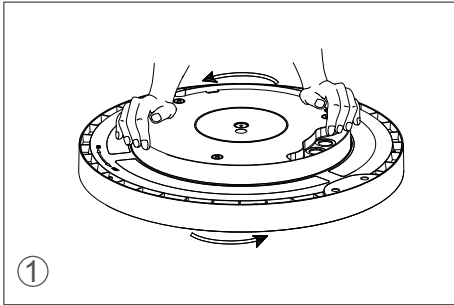
Environmental protection: waste electrical products should not be disposed of with household waste. Please recycle where facilities exist. Check with your local authority or retailer for recycling advice. 

Caution

1. The product must be installed by professional technicians and power supply must be cut off before installation.
2. The diameter for AC input wire is 0.75mm² (complying with 60245 IEC57), which complies with the latest IEE electrical standards or national standards.
3. Do not touch the electronic circuit and its components.
4. Contact an authorised technical service centre for any repairs possibly required use only original spare parts.
5. Do not touch LED while installing or maintaining.
6. Sealing the entrance hole with glue after install is needed.
7. The light source contained in this luminaire shall only be replaced by the manufacturer or his service agent or a similar qualified person.

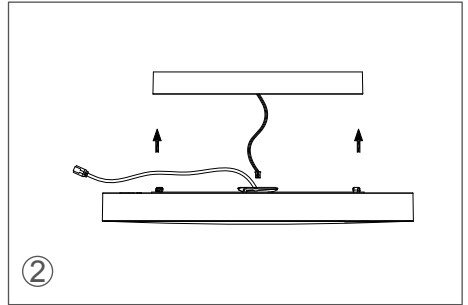


Instruction for Light Source Disassembly



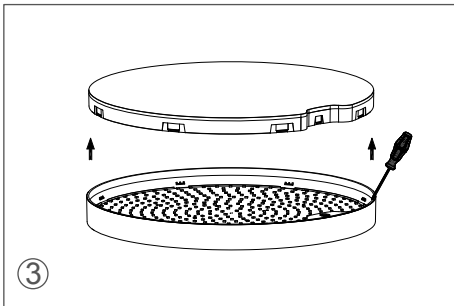
①

Twist the base anticlockwise to open the LED fixture.



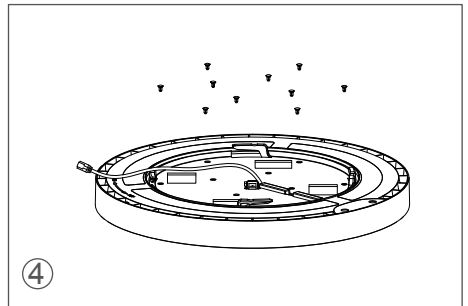
②

Lift up the base. Disconnect the DC cable and daylight sensor cable.



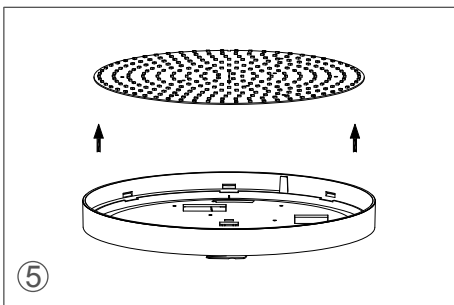
③

Use a flat head screwdriver to pry the diffuser off.



④

Remove the plastic rivets.



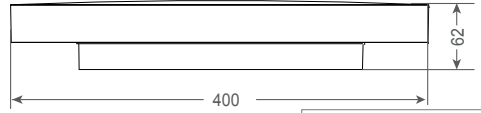
⑤

Take out the PCBA (light source) from the housing.

OPERATING MANUAL

SPAZE 400 DALI 1500-3000 830-850 - DALI, Power Adjustable, Color Temp. Adjustable

Important: Please read the instruction manual carefully prior to installation and keep it for future reference.



Order code	Product Series	Power Adjustable	Color Temp. Adjustable	Function
556004	SPAZE 400 DALI 1500-3000 830-850	16W/19W/23W/26W	3000K 4000K 5000K	DALI

Mounting: Wall or Ceiling

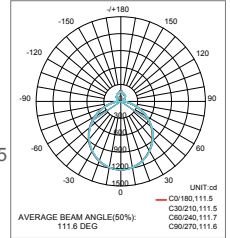
Light brief features:

Ra: >80

Life Time: 5 years

Light Source: LED SMD2835

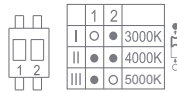
Input: 220V-240V 50/60Hz



Power adjustable options:

Power	Current	1	2	3
16W	400mA	●	●	●
19W	500mA	●	○	●
23W	600mA	○	●	●
26W	700mA	○	○	●

CCT:



Accessories

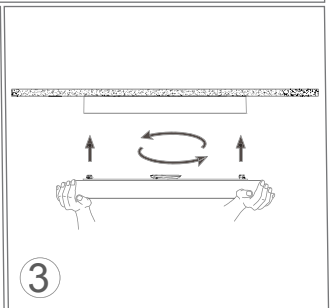
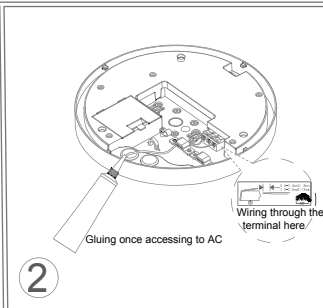
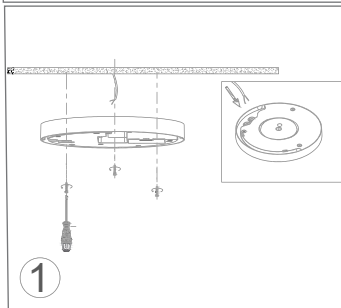
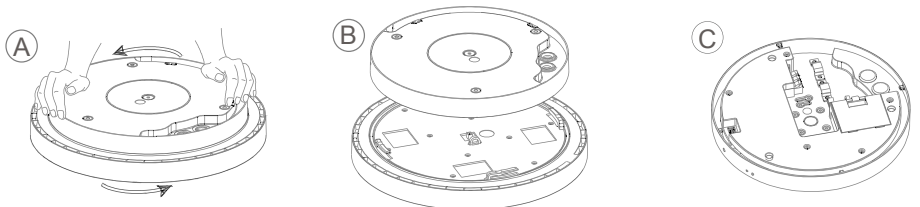
No.	Pic.	Qty.	Usage
1		3	Fix light
2		3	Rawl plug
3		1	Rubber plug

Color temperature Code

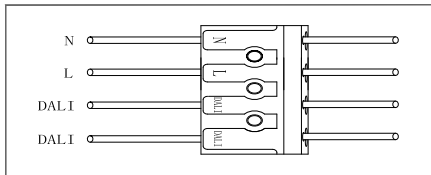
Code	Color temperature	CCT	Lumen			
			16W	19W	23W	26W
30K	Warm White	3000K	1920lm	2280lm	2760lm	3120lm
40K	Natural White	4000K	2010lm	2390lm	2920lm	3270lm
50K	Cool White	5000K	2050lm	2430lm	2950lm	3320lm

Installation

Ceiling light open

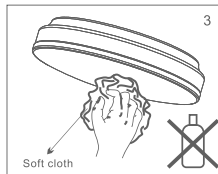
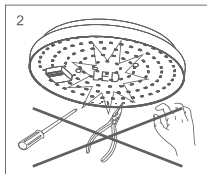
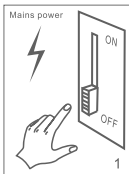


Wiring:



Maintenance

1. Cut off the main power first
2. Don't touch LED while maintaining or cleaning
3. Don't use chemical reagent to clean lamp.



Environmental protection: waste electrical products should not be disposed of with household waste. Please recycle where facilities exist. Check with your local authority or retailer for recycling advice.

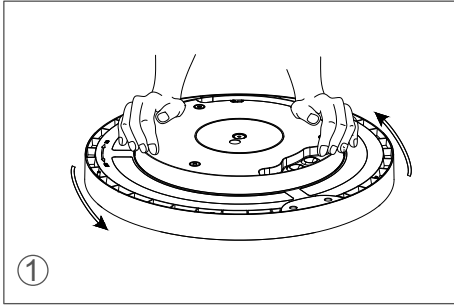


Caution

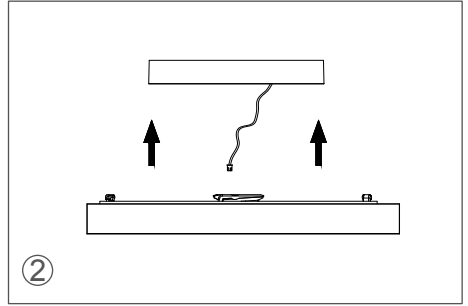
1. The product must be installed by professional technicians and power supply must be cut off before installation.
2. The diameter for AC input wire is 0.75mm² (complying with 60245 IEC57), which complies with the latest IEE electrical standards or national standards.
3. Do not touch the electronic circuit and its components.
4. Contact an authorised technical service centre for any repairs possibly required use only original spare parts.
5. Do not touch LED while installing or maintaining.
6. Sealing the entrance hole with glue after install is needed.
7. The light source contained in this luminaire shall only be replaced by the manufacturer or his service agent or a similar qualified person.



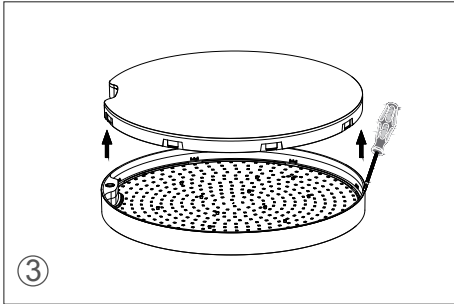
Instruction for Light Source Disassembly



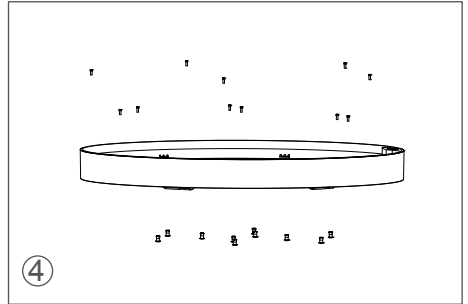
Twist the base anticlockwise to open the LED fixture.



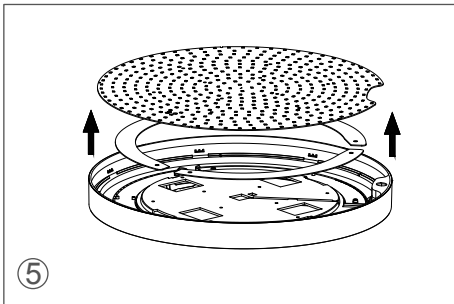
Lift up the base. Disconnect the DC cable.



Use a flat head screwdriver to pry the diffuser off.



Remove the screws and plastic rivets.



Take out the PCBA (light source) from the housing.